

Kalamera



INSTRUCTION MANUAL

Compressor Beverage Refrigerator

150-Can / 96-Can / 175-Can

MODEL: KRC-120BV/ KRC-90BV/ KRC-150BV

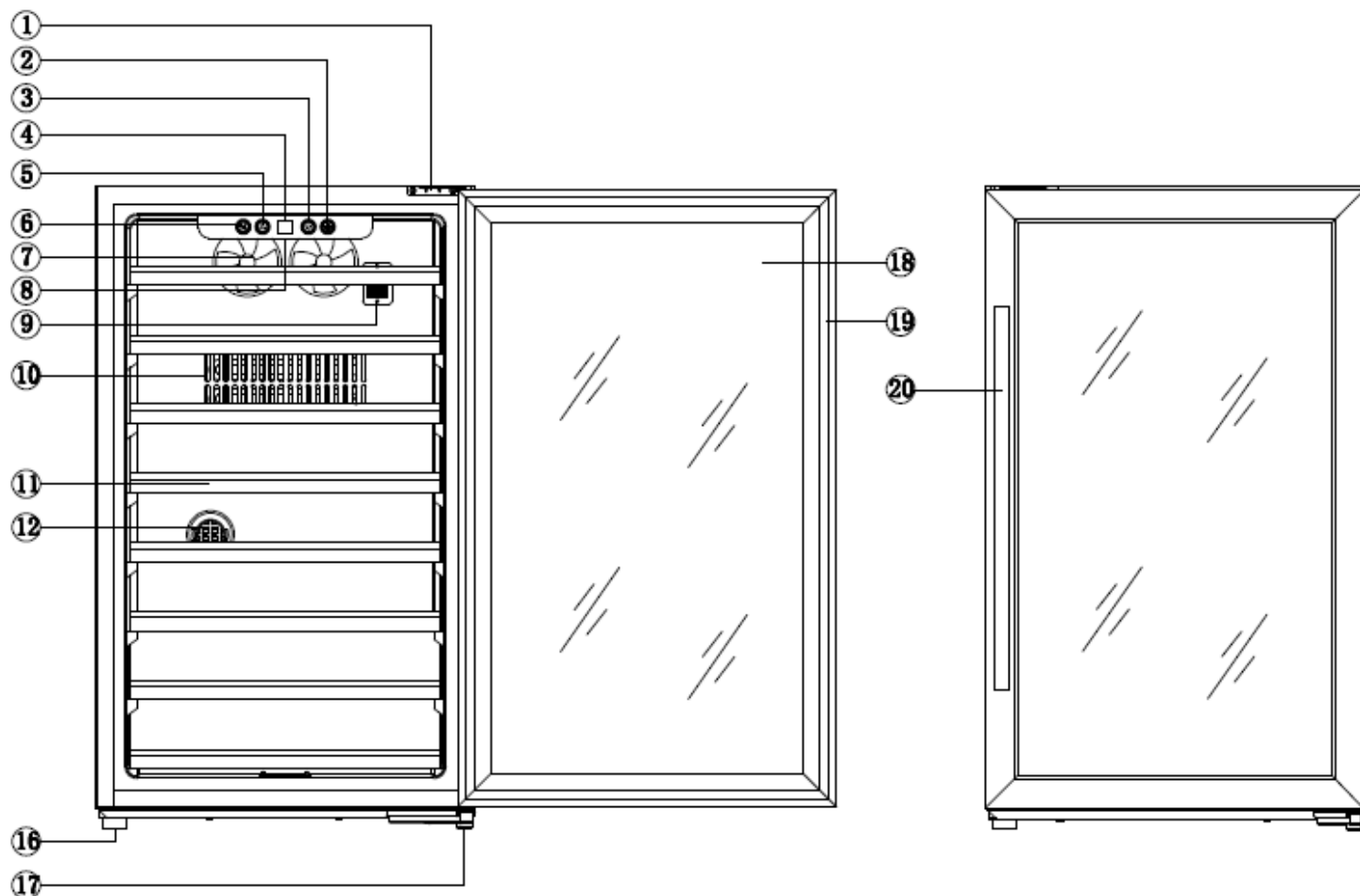
Please read carefully and follow all safety rules and operating instructions.

Content

1. Your Beverage Refrigerator.....	3
2. Technical Data.....	6
3. Safety Precautions.....	8
4. Important Precautions.....	8
5. Installation Instructions.....	8
6. Operating Your Beverage Refrigerator.....	11
7. Care and Maintenance.....	11
8. Trouble Shootings.....	12
9. Warranty.....	13

Your Beverage Refrigerator

KRC-120BV

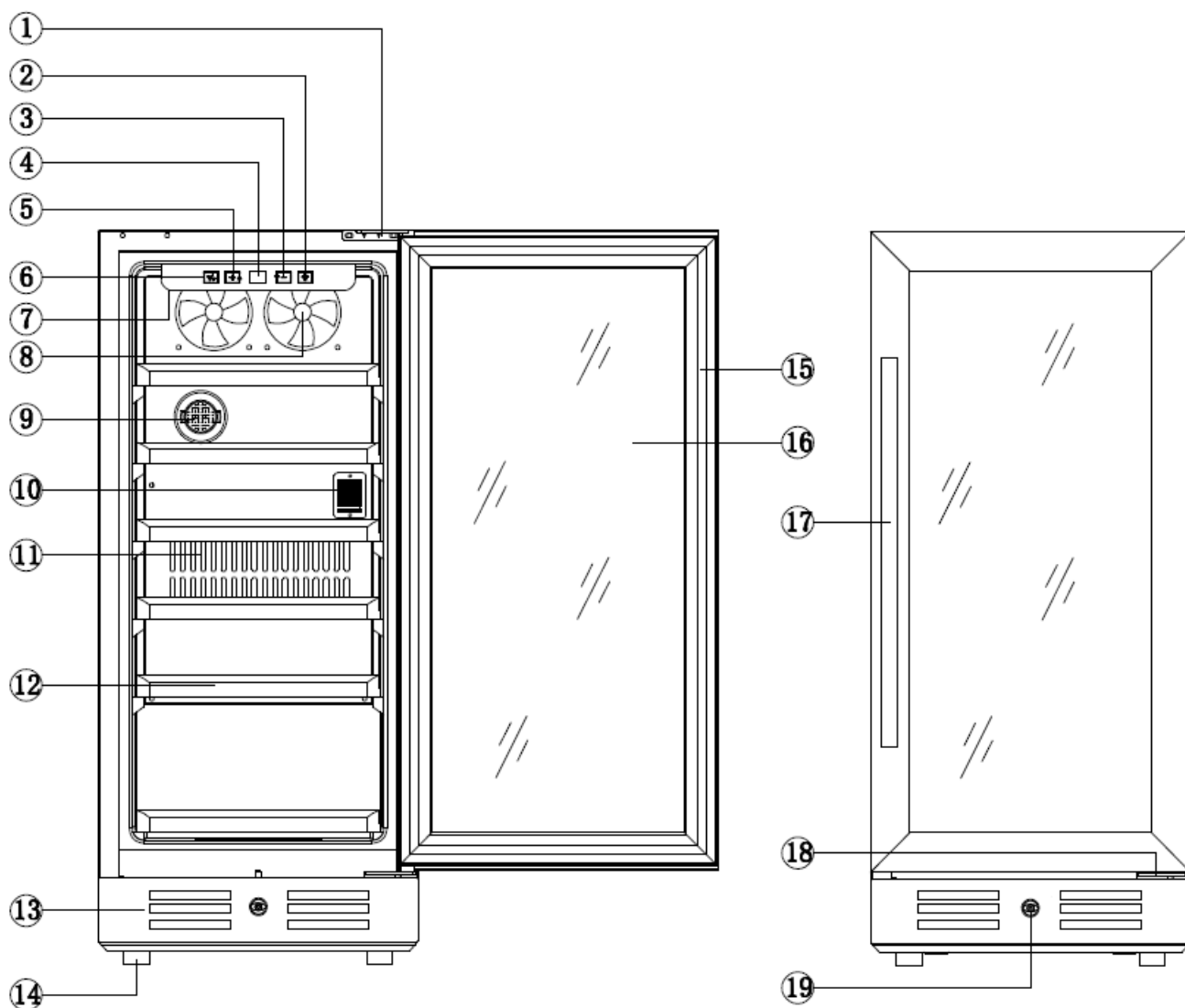


- 1 、 Right upper Hinge
- 2 、 Light switch
- 3 、 Temperature setting
- 4 、 Temperature display
- 5 、 Temperature setting
- 6 、 Temperature switch
- 7 、 Fan

- 8 、 Light
- 9 、 Temperature Sensor
- 10、 Exhaust window
- 11、 shelf
- 12、 Carbon filter
- 13、 Foot
- 14、 Lower Hinge

- 15、 Glass
- 16、 Door seal
- 17、 Handle

KRC-90BV

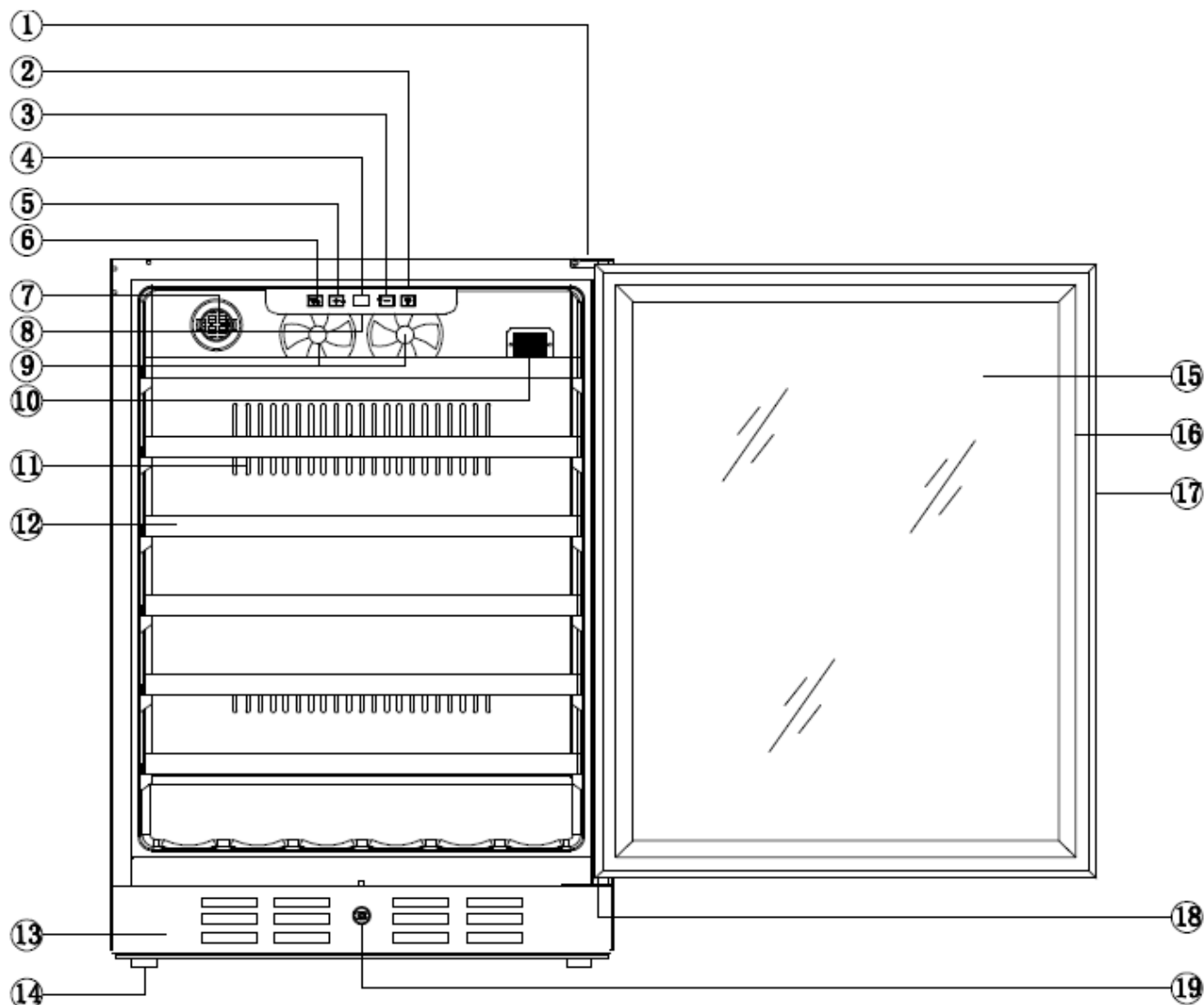


- 1 、 Right upper Hinge
- 2 、 Light switch
- 3 、 Temperature setting
- 4 、 Temperature display
- 5 、 Temperature setting
- 6 、 Temperature switch
- 7 、 Light

- 8 、 Fan
- 9 、 Carbon filter
- 10、 NTC point
- 11、 Exhaust window
- 12、 Shelf
- 13、 Exhaust window
- 14、 Foot

- 15、 Door seal
- 16、 Glass
- 17、 Handle
- 18、 Lower Hinge
- 19、 Lock

KRC-150BV



- 1 、 upper Hinge
- 2 、 Light switch
- 3 、 Temperature setting
- 4 、 Temperature display
- 5 、 Temperature setting
- 6 、 Temperature setting
- 7 、 Carbon filter

- 8 、 Light
- 9 、 Fan
- 10、 NTC point
- 11、 Exhaust window
- 12、 Shelf
- 13、 Exhaust window
- 14、 Foot

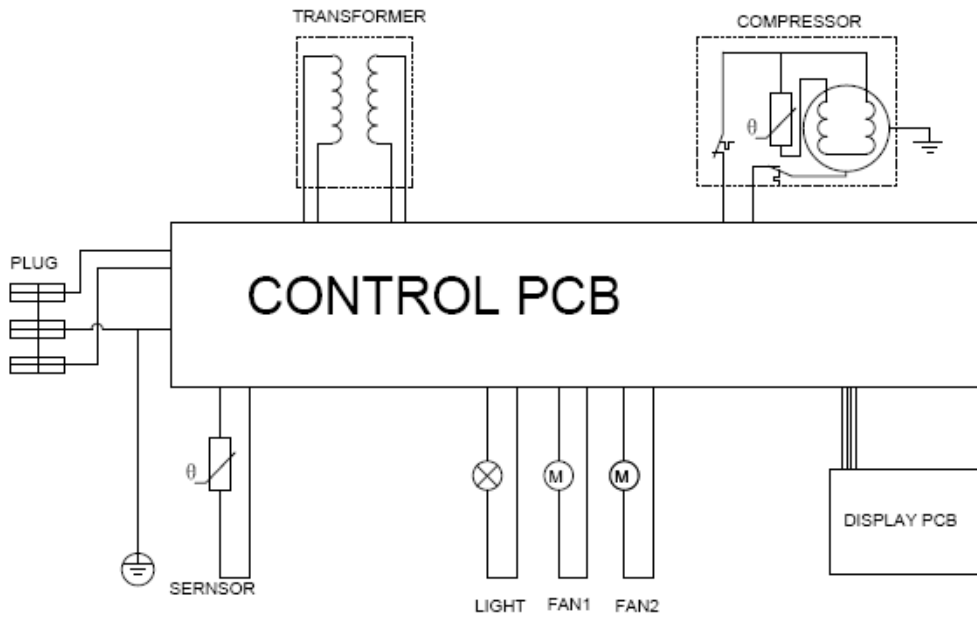
- 15、 Glass
- 16、 Door seal
- 17、 Handle
- 18、 Lower Hinge
- 19、 Lock

Technical Data

Model No.	KRC-120BV
Capacity	120L
Voltage	110-120V
Rated Current	1.2A
Frequency	60Hz
Protection Class	I
Climate Class	T/ST/N/SN
Input Power	90W
Power Consumption(KW.h/24h)	0.71 KW.h/24h
Temperature Control Range	38°F-50°F
Net Weight	90.3 lbs
Gross Weight	97 lbs
Product size(WxHxD)	19.5 x 33 x 22.6 inches
Packing size(WxHxD)	22 x 35 x 25 inches

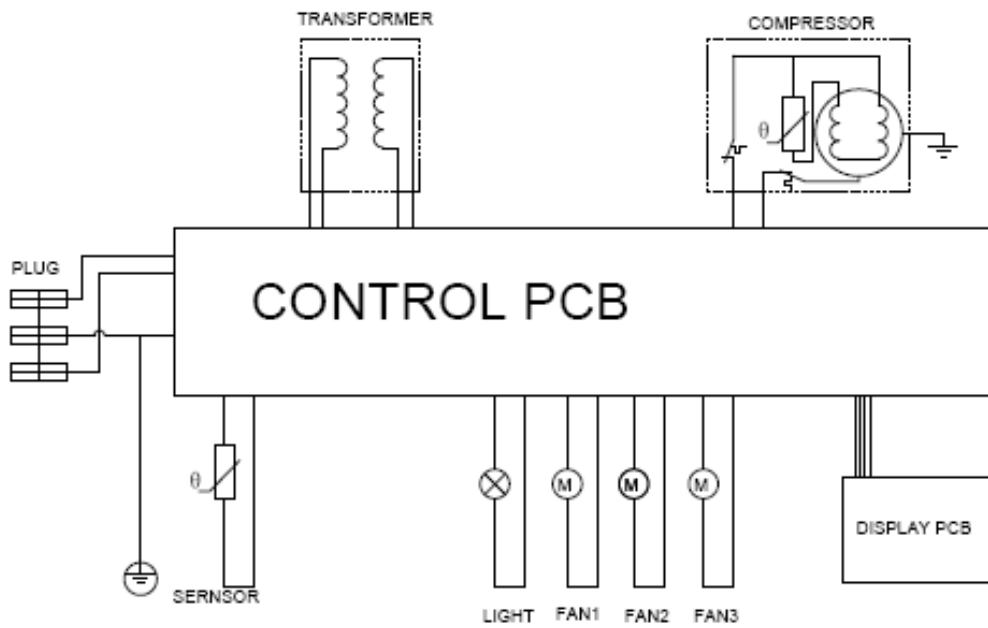
Model No.	KRC-90BV	KRC-150BV
Capacity	90L	150L
Voltage	110-120V	110-120V
Rated Current	1.2A	1.2A
Frequency	60Hz	60Hz
Protection Class	I	I
Climate Class	T/ST/N/SN	T/ST/N/SN
Input Power	90W	90W
Power Consumption(KW.h/24h)	0.59 KW.h/24h	0.84 KW.h/24h
Temperature Control Range	38°F-50°F	38°F-50°F
Net Weight	72.8 lbs	138 lbs
Gross Weight	94 lbs	104 lbs
Product Size(WxHxD)	14.9 x 33.9 x 22.4 inches	23.4 x 33 x 22.4 inches
Packing Size(WxHxD)	18 x 40.5 x 26 inches	26.8 x 40.5 x 25.7 inches

Electrical Circuit Diagram



KRC-120BV

Electrical Circuit Diagram



KRC-90BV & KRC-150BV

Safety Precautions



To reduce the risk of fire, electrical shock, or injury when using your appliance, follows these basic precautions;

- **PLEASE READ** all instructions before installing, operating, or servicing the appliance.
- **Danger and Warning:** Failure to follow this safety statement will result in severe personal injury or death, property or equipment damage.
- **RISK OF CHILD ENTRAPMENT.** Before you throw away your old refrigerator or freezer, take off the doors and leave shelves in place so children may not easily climb inside.
- **⚠️ SHOCK HAZARD** - Electrical Grounding required.
- Never attempt to repair or perform maintenance on the unit until the electricity has been disconnected.
- Never remove the round grounding prong from the plug and never use a two-prong grounding adaptor.
- Altering, cutting of power cord, removal of power cord, removal of power plug, or direct wiring can cause serious injury, fire or loss of property and life, and will void the warranty.
- Never use an extension cord to connect power to the unit.
- Always keep the working area dry.

Important Precautions

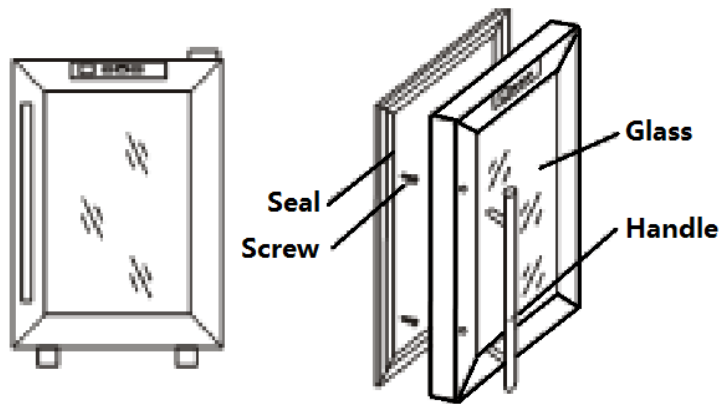
- Do not lift unit by door handle.
- Do keep the door closed before installing into cabinet.
- Be sure the kick-plate on the front bottom is free from obstruction. Obstructing free airflow can cause the unit to malfunction and will void the warranty.
- Failure to clean the condenser every six months can cause the unit to malfunction.
- Allow unit temperature to stabilize for 24 hours before use.
- Do not block any internal fans.
- Use only genuine supplier's replacement parts. Imitation parts can damage the unit, affect its operation or performance and may void the warranty.

Installation Instructions

Before using your beverage refrigerator:

- Remove the exterior and interior packing
- Before connecting the appliance to the power outlet, let it stand upright for approximately 2 hours. This will reduce the possibility of malfunction in the cooling system from handling during transportation.
- Clean the interior surface with lukewarm water using a soft cloth.
- Place your appliance on a floor that is strong enough to support the appliance when it is fully loaded.
- To level your appliance, adjust the front legs at the bottom of the appliance.
- **To install the door handle:**

For shipment, the door handle has been stored inside of the unit binding to the wood shelves. To install the handle, the door gasket should be gently pulled back where it covers the screw holes for the handle, then the handle should be attached by screwing into place with the two screws which are packed in the box with this Instruction Manual and other spare parts.



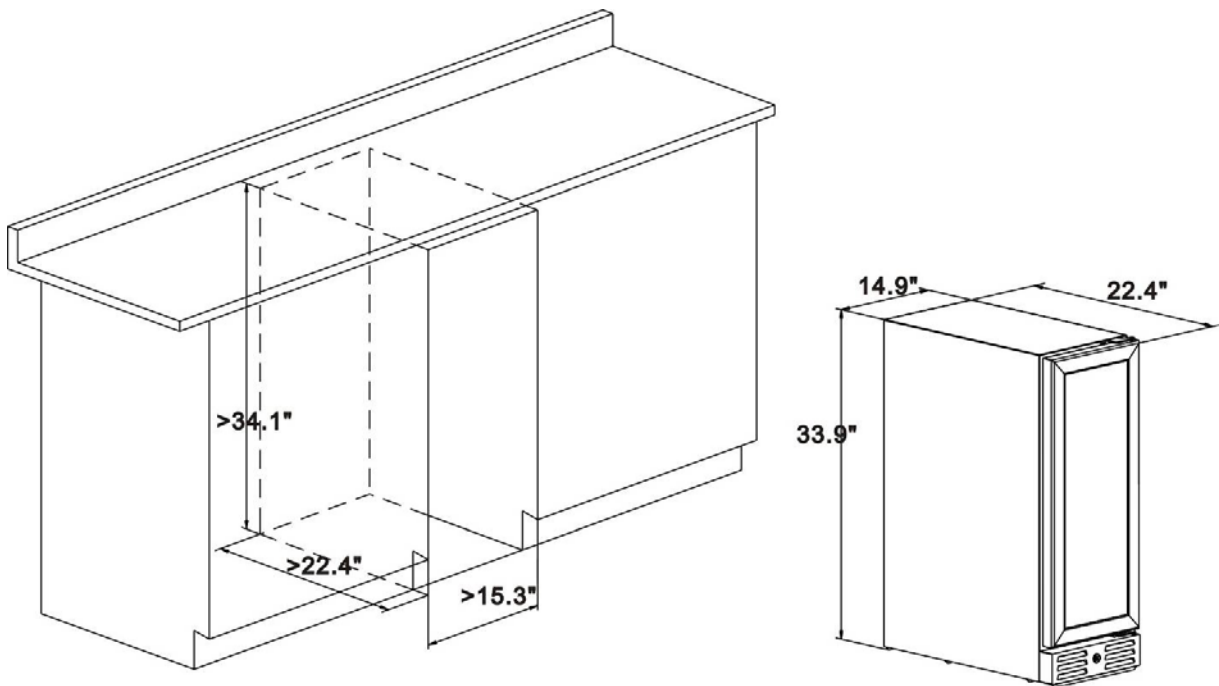
- **To reverse the door swing:**

ONLY FOR KRC-90BV & KRC-150BV. KRC-120BV is not available to swing the door.

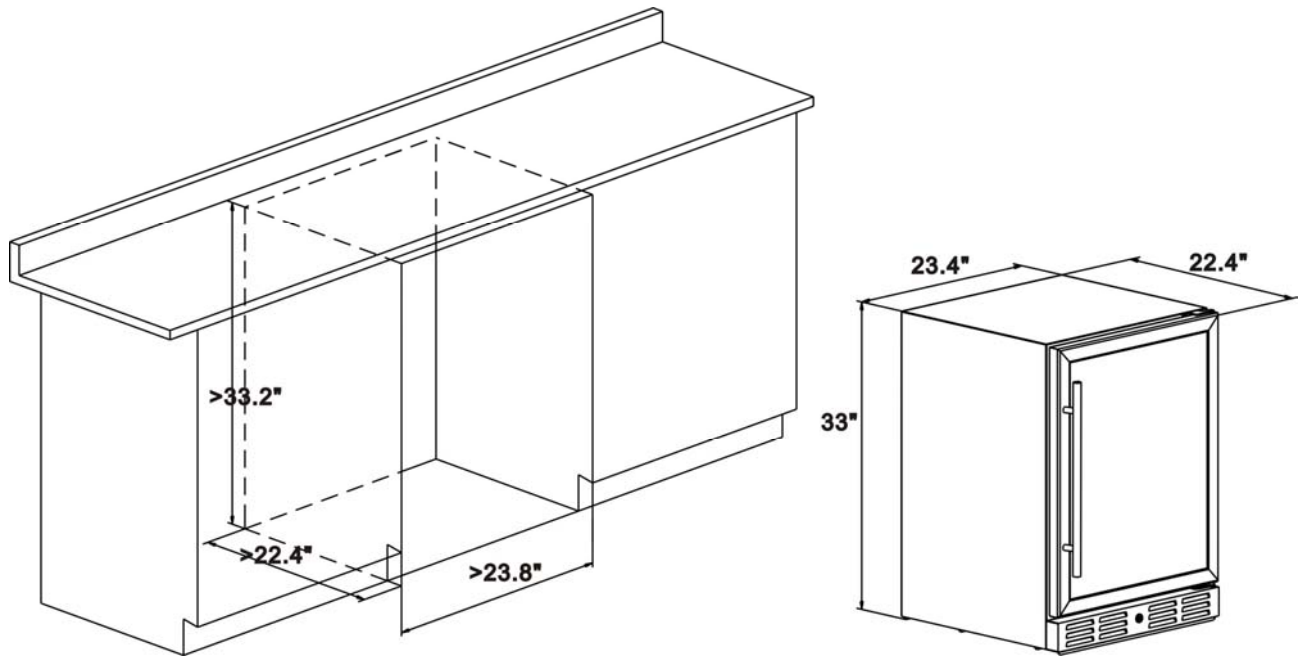
As you received your beverage refrigerator, the door swings open at the left. If you wish to reverse the swing so that the door opens from the right, it is most important to have at least one other person to help. **It is very dangerous to try to reverse the door swing by yourself**, without anybody's help the door might fall and the glass might be broken, which is terribly dangerous

Now, unscrew the upper door hinge while the second person hold the door. Remove the upper hinge and carefully lift the door off the bottom hinge. Unscrew the bottom hinge and install it on the left side of the unit. Flip the door around so that the handle is on the right side and slip the door over the bottom hinge. Reattach the door by screwing the top hinge into the holes provided on the upper left surface of the unit. Make adjustments as necessary to be sure the door is aligned properly.

- **Suggest cabinet dimension:**



KRC-90BV

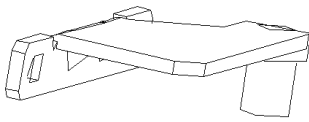
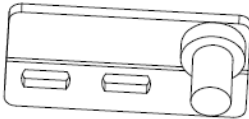
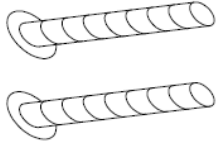






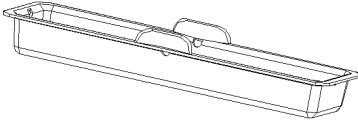
KRC-150BV

- KRC-120BV is a free standing beverage refrigerator, install it in a cabinet will obstruct free airflow, can cause the unit to malfunction and will void the warranty. **PLEASE KEEP IT FREE STANDING!**

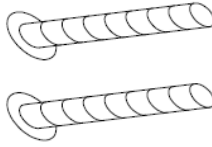

● **Spare parts details:**

KRC-90BV & KRC-150BV

Spare parts	Picture	Use
Upper hinge		To switch the door open from right.
Bottom hinge		To switch the door open from right.
Screw *2		For the handle installation.
Gasket *2		For the handle installation.
Key *2		To lock the door.
Big rubber plug *1		To cover the lock hole on the top of door.

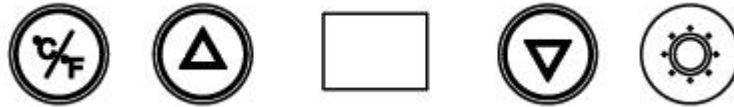
Round rubber plug (KRC-90BV 2pcs, KRC-150BV 3pcs)		To cover the holes on the left front corner of the body..
Water box (Only for KRC-90BV)		The water box is at the bottom inside the beverage refrigerator. If you feel beverage refrigerator inside is dry, you could have some water in it to increase humidity.

KRC-120BV

Screw *2		For the handle installation.
Gasket *2		For the handle installation.

Operating Your Beverage Refrigerator

The Control Panel:



How to use the press-buttons on the Display Panel:

- To control the temperature, press UP or DOWN button. To control the temperature, press UP and DOWN button. Each press would adjust the temperature by 1°C between 3~10°C or 1°F between 38~50°F.
- To turn on or off the internal LED lighting, press LIGHT button on the right side.
- To switch the temperature display from Celsius Degree to be Fahrenheit Degree or vice versa, press C/F button.

Care And Maintenance

Cleaning your beverage refrigerator

- Unplug the beverage refrigerator and remove the bottles.
- Wash the inside with warm water or baking soda solution. The solution should be about 2 tablespoons of baking soda to a quart of water.
- The outside of beverage refrigerator should be cleaned with mild detergent or warm water.
- Draw out the water box at the bottom, and wash it.

Moving your beverage refrigerator

- Remove all the bottles.
- Securely tape down all loose items inside your beverage refrigerator.
- Turn the leveling legs up to the base to avoid damage.
- Tape the door.
- Be sure the beverage refrigerator stays in the upright position during transportation.

Trouble Shootings

You can solve many common beverage refrigerator problems easily, saving you the cost of a possible service call. Try the suggestion below to see if you can solve the problem before calling the service center.

PROBLEM	POSSIBLE CAUSE
Beverage refrigerator do not operate.	Not plugged in using different voltage. The circuit breaker tripped or a blown fuse.
Beverage refrigerator is not cold enough.	Check the temperature control setting. The door is open too often. The door is not closed completely. The door seal does not seal properly. The beverage refrigerator does not have the correct clearance.
The light does not work.	Main control board does not work. PCB Problem. There is some problem with the plug.
Vibrations.	Check to assure that the beverage refrigerator is leveled.
The beverage refrigerator seems to make to much noise	The beverage refrigerator is not leveled. Check the fan.
The door will not close properly.	The beverage refrigerator is not leveled. The doors were reversed and not properly installed. The seal is weak. The shelves out of position.
LED could not display.	Main control board does not work. PCB Problem. There is some problem with the plug.
LED display error.	Weak quality of display. Temperature point is out off.
Buttons are not functional.	Temperature controller panel is damaged.

KALAMERA LIMITED WARRANTY

Full One Year Warranty

Warranty Terms:

The manufacture warrants to the original purchaser of this product that the product will be free from manufacturing defects in workmanship and material for a period of 1 year from the date of original purchase when this major appliance is operated and maintained according to instructions attached to or furnished with the product.

The purchaser must contact the manufacture Customer Service Department and provide a description of the defective part, including digital pictures if requested, with buying channel, serial number, order ID and the original purchase documentation as validation of warranty coverage date.

Once confirmed that your appliance is eligible for the warranty service, Kalamera Customer Service Department will contact you by mail or phone about the maintenance solution. Replacement parts and/or units will be new, re-manufactured or refurbished and is subject to the manufacturer's discretion. Kalamera is not responsible for damage resulting from shipper mishandling or improper packing. Do not return a defective product to the place of purchase. Product received without a return authorization number will be refused.

After receiving the unit, please do not remove, altered original model/serial number, that will influence the after-sale service. Please carefully keep the user manual and warranty card for future reference.

If you need service, first see the "Troubleshooting" section of the User Manual. After checking, you may find additional help by mailing or calling us.

Write down the following information about your product to better help you obtain assistance or service if you ever need. You can find this information on the model and serial number located on the product.

Dealer name _____

Model number _____

Serial number _____

Purchase date _____

Warranty Exclusions:

The warranty will not apply if damage is caused by any of the following:

1. Damage to the product due to misuse, mishandling and abuse.
2. Product not assembled or installed according to manufacturer's instruction.
3. Repairs by unauthorized persons or service centers with unauthorized spare parts.
4. Failure to provide reasonable and necessary maintenance.
5. Improper power supply such as low voltage, defective household wiring or inadequate fuses.
6. Accident, alteration, misuse or abuse of the appliance such as using non-approved accessories, inadequate air circulation in the room or abnormal operating conditions, such as extreme temperatures.
7. Damage in transit or when moving the appliance.
8. Use of force or damage caused by external influences.
9. Store improper things.
10. Normal wear and tear.
11. Cosmetic damage, including scratches, dents, chips, or other damage to the finish of your product, unless such damage results from defects in materials or workmanship and is reported to us within 30 days from the date of purchase.
12. Fire, water damage, theft, war, riot, hostility or acts of God such as hurricanes, floods, etc. In addition consequential damage and incidental damages, such as damage to person or property are not coverable under this warranty.
13. Partially or completely dismantled appliances.

To obtain service or information, please call 866-554-6688 or send email to
service@kalamera.com

Product contents and specifications may change without notice.

Copyright © 2016 Kalamera Products

www.kalamera.com