

Kalamera

INSTRUCTION MANUAL

Compressor Wine Cooler



80-Bottle
KRC-85SZF



73-Bottle
KRC-73DZF



52-Bottle
KRC-52SZF

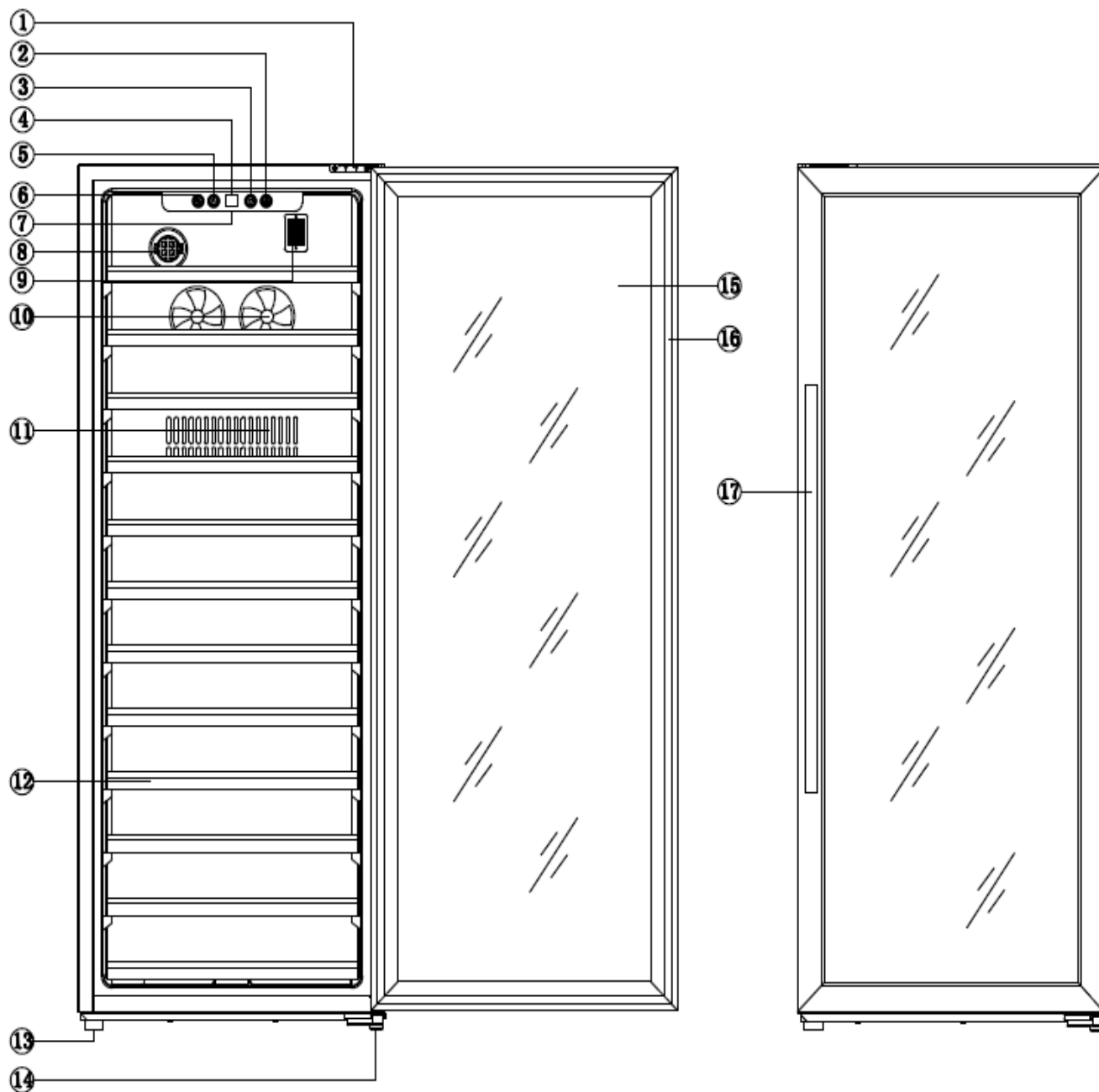
Please read carefully and follow all safety rules and operating instructions.

Content

1. Your Wine Cooler.....	3
2. Technical Data.....	6
3. Safety Precautions.....	8
4. Important Precautions.....	8
5. Installation Instructions.....	8
6. Operating Your Wine Cooler.....	10
7. Care and Maintenance.....	10
8. Trouble Shootings.....	11

Your Wine Cooler

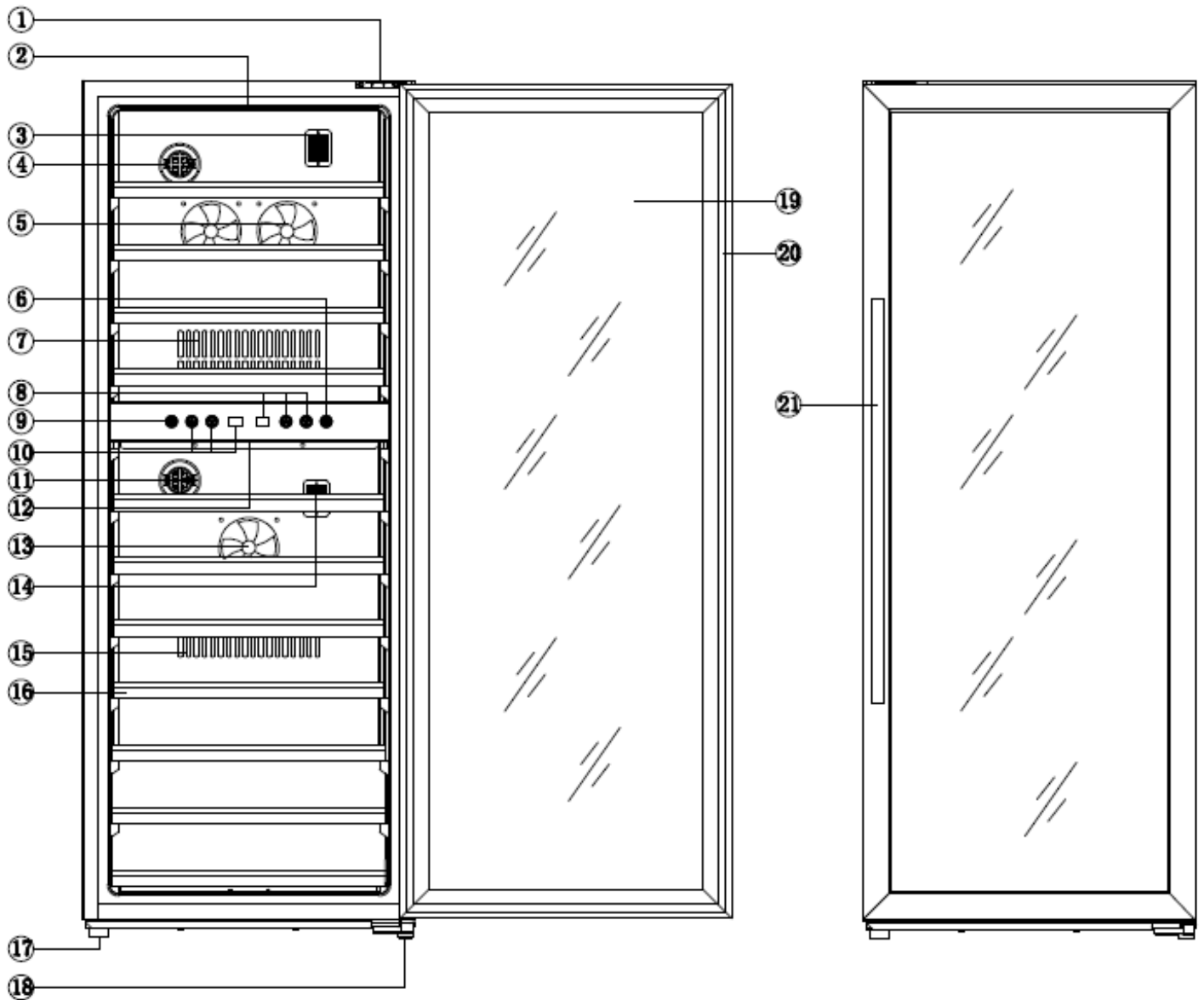
KRC-85SZF



- 1. Right Upper Hinge
- 2. Light Switch
- 3. Temperature Setting
- 4. Temperature Display
- 5. Temperature Setting
- 6. Temperature Switch
- 7. Light
- 8. Carbon Filter
- 9. Temperature Sensor
- 10. Fan

- 11. Exhaust Window
- 12. Shelf
- 13. Foot
- 14. Lower Hinge
- 15. Glass
- 16. Door Seal
- 17. Handle

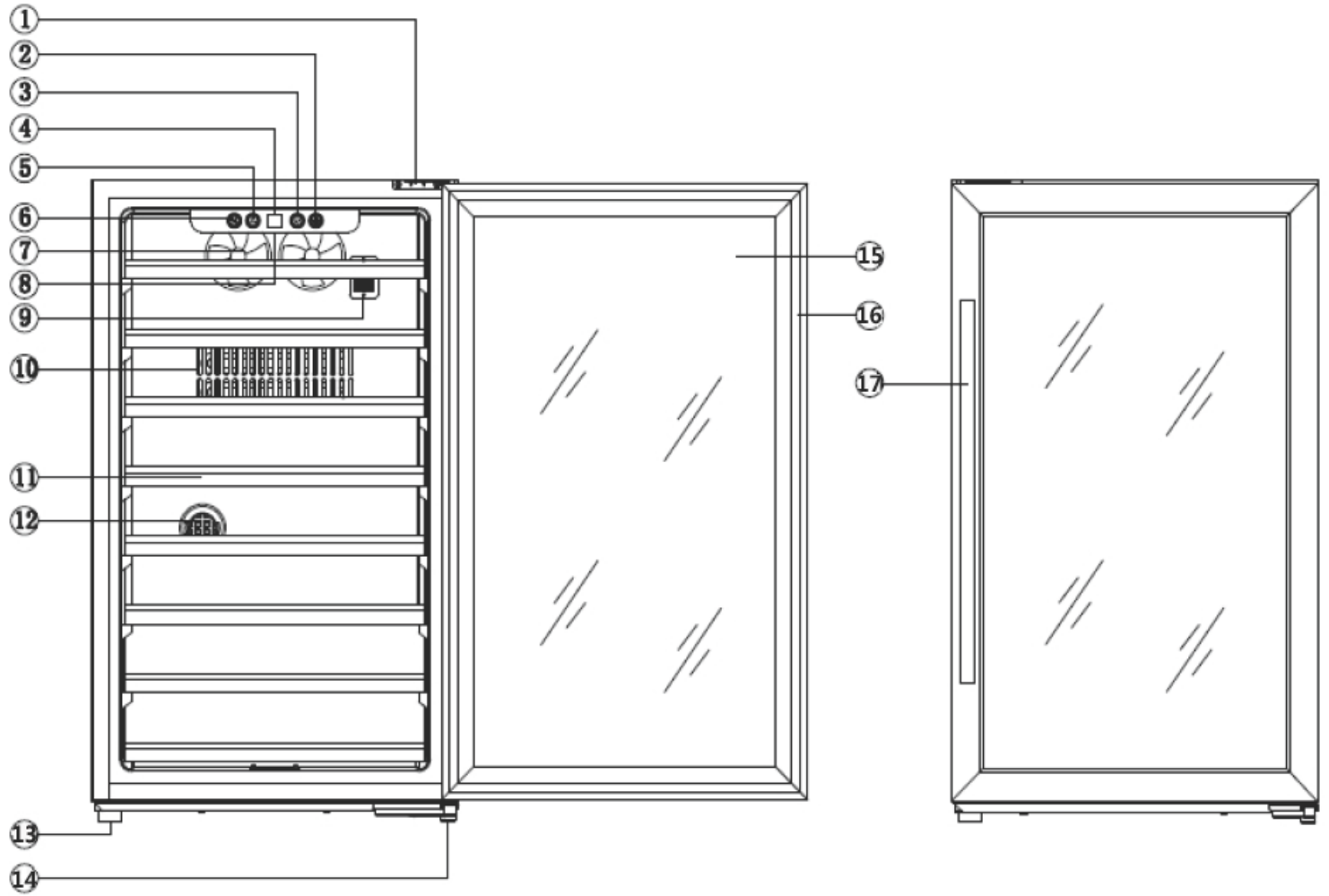
KRC-73DZF



- 1. Upper Hinge
- 2. Upper Zone Light
- 3. Upper Zone Temperature Sensor
- 4. Upper Zone Carbon Filter
- 5. Upper Zone Fan
- 6. Light Switch
- 7. Upper Zone Exhaust Window
- 8. Lower Zone Temperature Display
- 9. Temperature Switch
- 10. Upper Zone Temperature Display
- 11. Lower Zone Carton Filter

- 12. Lower Zone Light
- 13. Lower Zone Fan
- 14. Lower Zone Temperature Sensor
- 15. Lower Zone Exhaust Window
- 16. Shelf
- 17. Foot
- 18. Lower Hinge
- 19. Glass
- 20. Door Seal
- 21. Handle

KRC-52SZF



- 1. Right Upper Hinge
- 2. Light Switch
- 3. Temperature Setting
- 4. Temperature Display
- 5. Temperature Setting
- 6. Temperature Switch
- 7. Fan
- 8. Light
- 9. Temperature Sensor
- 10. Exhaust Window

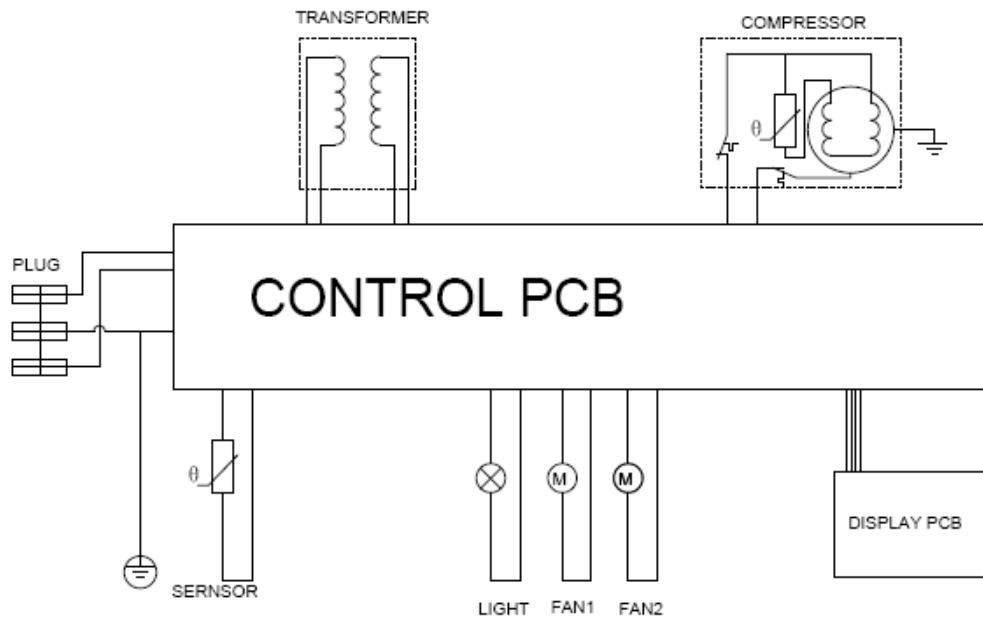
- 11. Shelf
- 12. Carbon Filter
- 13. Foot
- 14. Lower Hinge
- 15. Glass
- 16. Door Seal
- 17. Handle

Technical Data

Model No.	KRC-85SZF	KRC-73DZF
Capacity	200L	200L
Voltage	110-120V	110-120V
Rated Current	1.2A	1.2A
Frequency	60Hz	60Hz
Protection Class	I	I
Climate Class	T/ST/N/SN	T/ST/N/SN
Input Power	90W	90W
Power Consumption(KW.h/24h)	0.7KW.h/24h	0.7 KW.h/24h
Temperature Control Range	40°F-66°F	40°F-50°F / 50°F-66°F
Net Weight	120 lbs	120 lbs
Gross Weight	143.33 lbs	143.33 lbs
Product Size(WxHxD)	19.50 x 50.20 x 22.83 inches	19.50 x 50.20 x 22.83 inches
Packing Size(WxHxD)	22.00 x 52.17 x 25.40 inches	22.00 x 52.17 x 25.40 inches

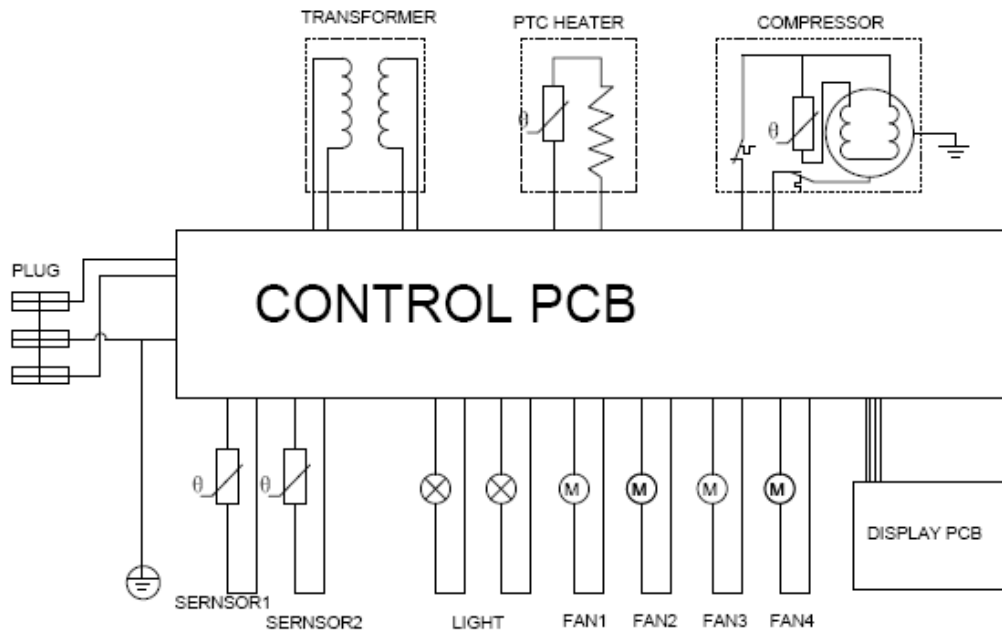
Model No.	KRC-52SZF
Capacity	120L
Voltage	110-120V
Rated Current	1.2A
Frequency	60Hz
Protection Class	I
Climate Class	T/ST/N/SN
Input Power	90W
Power Consumption(KW.h/24h)	0.53 KW.h/24h
Temperature Control Range	40°F-66°F
Net Weight	82.67 lbs
Gross Weight	89.31 lbs
Product Size(WxHxD)	19.50 x 33.07 x 22.83 inches
Packing Size(WxHxD)	22.00 x 35.00 x 25.40 inches

Electrical Circuit Diagram



KRC-85SZF & KRC-52SZF

Electrical Circuit Diagram



KRC-73DZF

Safety Precautions



To reduce the risk of fire, electrical shock, or injury when using your appliance, follow these basic precautions;

- **PLEASE READ** all instructions before installing, operating, or servicing the appliance.
- **Danger and Warning:** Failure to follow this safety statement will result in severe personal injury or death, property or equipment damage.
- **RISK OF CHILD ENTRAPMENT.** Before you throw away your old refrigerator or freezer, take off the doors and leave shelves in place so children may not easily climb inside.
- **⚠️ SHOCK HAZARD** - Electrical Grounding required.
- Never attempt to repair or perform maintenance on the unit until the electricity has been disconnected.
- Never remove the round grounding prong from the plug and never use a two-prong grounding adaptor.
- Altering, cutting of power cord, removal of power cord, removal of power plug, or direct wiring can cause serious injury, fire or loss of property and life, and will void the warranty.
- Never use an extension cord to connect power to the unit.
- Always keep the working area dry.

Important Precautions

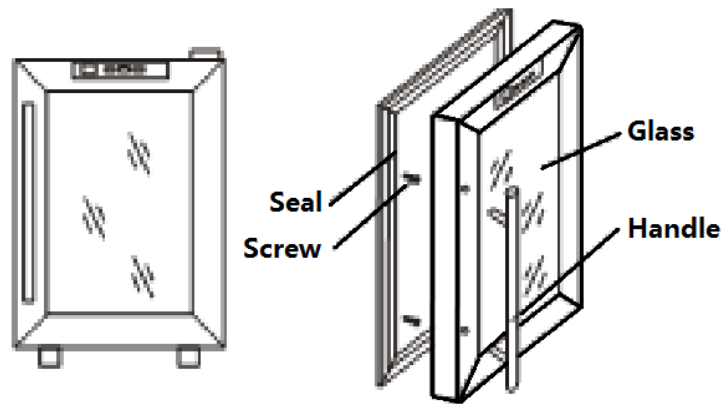
- Do not lift unit by door handle.
- Do keep the door closed before installing into cabinet.
- Be sure the kick-plate on the front bottom is free from obstruction. Obstructing free airflow can cause the unit to malfunction and will void the warranty.
- Failure to clean the condenser every six months can cause the unit to malfunction.
- Allow unit temperature to stabilize for 24 hours before use.
- Do not block any internal fans.
- Use only genuine supplier's replacement parts. Imitation parts can damage the unit, affect its operation or performance and may void the warranty.

Installation Instructions

Before using your wine cooler:

- Remove the exterior and interior packing
- Before connecting the appliance to the power outlet, let it stand upright for approximately 2 hours. This will reduce the possibility of malfunction in the cooling system from handling during transportation.
- Clean the interior surface with lukewarm water using a soft cloth.
- Place your appliance on a floor that is strong enough to support the appliance when it is fully loaded.
- To level your appliance, adjust the front legs at the bottom of the appliance.
- **To install the door handle:**

For shipment, the door handle has been stored inside of the unit binding to the wood shelves. To install the handle, the door gasket should be gently pulled back where it covers the screw holes for the handle, then the handle should be attached by screwing into place with the two screws which are packed in the box with this Instruction Manual and other spare parts.

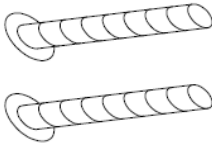

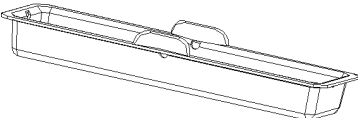


- **To reverse the door swing:**

As you received your wine cooler, the door swings open at the left. If you wish to reverse the swing so that the door opens from the right, it is most important to have at least one other person to help. **It is very dangerous to try to reverse the door swing by yourself**, without anybody's help the door might fall and the glass might be broken, which is terribly dangerous

Now, unscrew the upper door hinge while the second person hold the door. Remove the upper hinge and carefully lift the door off the bottom hinge. Unscrew the bottom hinge and install it on the left side of the unit. Flip the door around so that the handle is on the right side and slip the door over the bottom hinge. Reattach the door by screwing the top hinge into the holes provided on the upper left surface of the unit. Make adjustments as necessary to be sure the door is aligned properly.

- **Spare parts details:**

Spare parts	Picture	Use
Screw *2		For the handle installation.
Gasket *2		For the handle installation.
Water box		The water box is at the bottom inside the wine cooler. If you feel wine cooler inside is dry, you could have some water in it to increase humidity.

Operating Your Wine Cooler

The Control Panel:

KRC-85SZF & KRC-52SZF



How to use the press-buttons on the Display Panel:

- To control the temperature, press “UP” or “DOWN” button. Each press would adjust the temperature by 1°C between 5~18°C or 1°F between 40~66°F.
- To turn on or off the internal LED lighting, press “LIGHT” button on the right side.
- To switch the temperature display from Celsius Degree to be Fahrenheit Degree or vice versa, press “°C/°F” button.

KRC-73DZF



- To control the upper zone temperature, press “UP” or “DOWN” button on the left side. Each press would adjust the temperature by 1°C between 5~10°C or 1°F between 40~50°F.
- To control the lower zone temperature, press “UP” or “DOWN” button on the right side. Each press would adjust the temperature by 1°C between 10~18°C or 1°F between 50~66°F.
- To turn on or off the internal LED lighting, press “LIGHT” button on the right side.
- To switch the temperature display from Celsius Degree to be Fahrenheit Degree or vice versa, press “°C/°F” button.

Care And Maintenance

Cleaning your wine cooler

- Unplug the wine cooler and remove the bottles.
- Wash the inside with warm water or baking soda solution. The solution should be about 2 tablespoons of baking soda to a quart of water.
- The outside of wine cooler should be cleaned with mild detergent or warm water.
- Draw out the water box at the bottom, and wash it.

Moving your wine cooler

- Remove all the bottles.
- Securely tape down all loose items inside your wine cooler.
- Turn the leveling legs up to the base to avoid damage.
- Tape the door.
- Be sure the wine cooler stays in the upright position during transportation.

Trouble Shootings

You can solve many common wine cooler problems easily, saving you the cost of a possible service call. Try the suggestion below to see if you can solve the problem before calling the service center.

PROBLEM	POSSIBLE CAUSE
Wine cooler do not operate.	Not plugged in using different voltage. The circuit breaker tripped or a blown fuse.
Wine cooler is not cold enough.	Check the temperature control setting. The door is open too often. The door is not closed completely. The door seal does not seal properly. The wine cooler does not have the correct clearance.
The light does not work.	Main control board does not work. PCB Problem. There is some problem with the plug.
Vibrations.	Check to assure that the wine cooler is leveled.
The wine cooler seems to make to much noise	The wine cooler is not leveled. Check the fan.
The door will not close properly.	The wine cooler is not leveled. The doors were reversed and not properly installed. The seal is weak. The shaves out of position.
LED could not display.	Main control board does not work. PCB Problem. There is some problem with the plug.
LED display error.	Weak quality of display. Temperature point is out off.
Buttons are not functional.	Temperature controller panel is damaged.

To obtain service or information, please call 866-554-6688 or send email to
service@kalamera.com

Product contents and specifications may change without notice.

Copyright © 2016 Kalamera Products

www.kalamera.com