

Kalamera



INSTRUCTION MANUAL

Compressor Wine Cooler

40-Bottle/ 66-Bottle

MODEL: KRC-40DZB/ KRC-66DZB

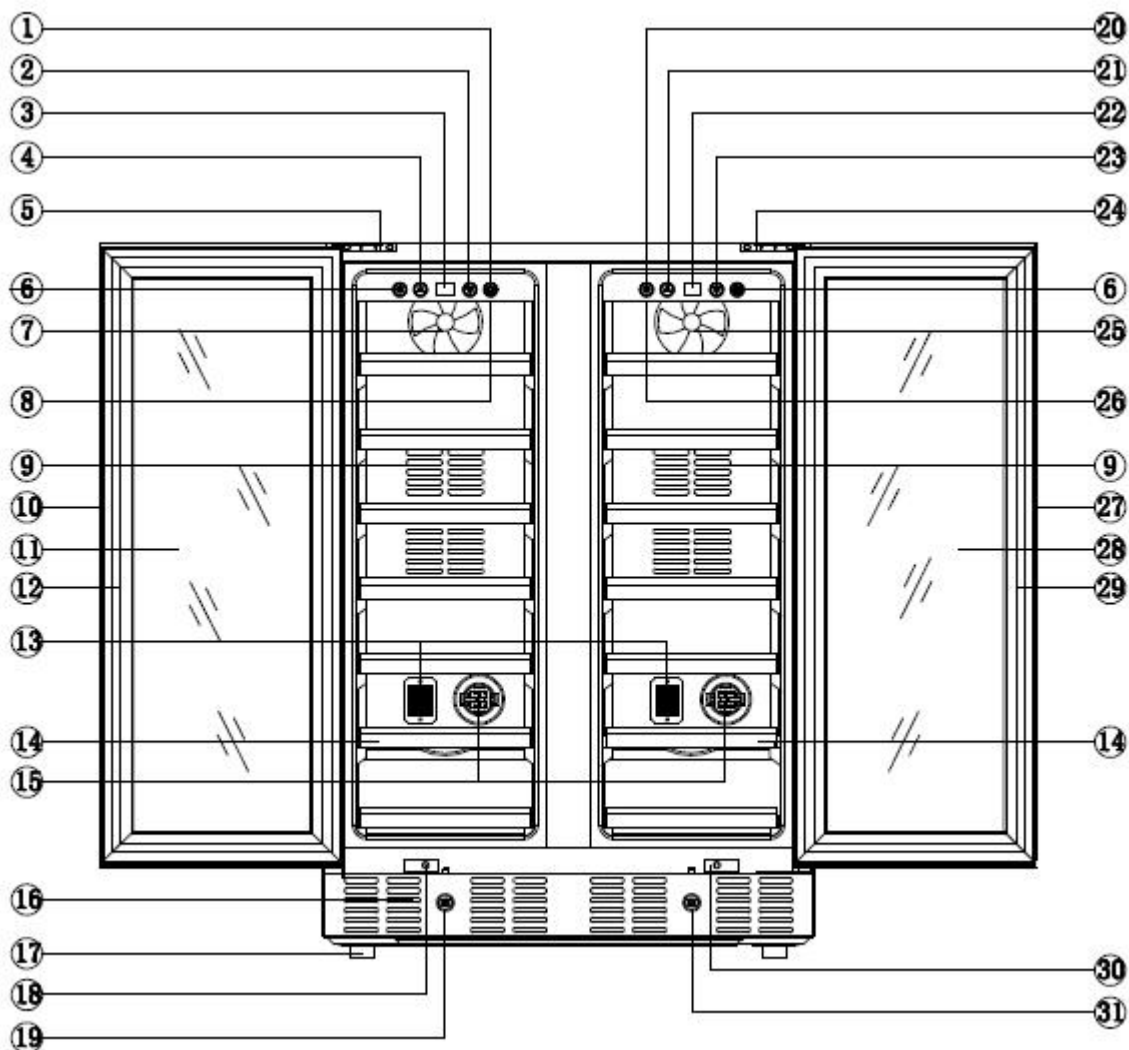
Please read carefully and follow all safety rules and operating instructions.

Content

1. Your Wine Cooler.....	3
2. Technical Data.....	5
3. Safety Precautions.....	6
4. Important Precautions.....	6
5. Installation Instructions.....	6
6. Operating Your Wine Cooler.....	8
7. Care and Maintenance.....	9
8. Trouble Shootings.....	9

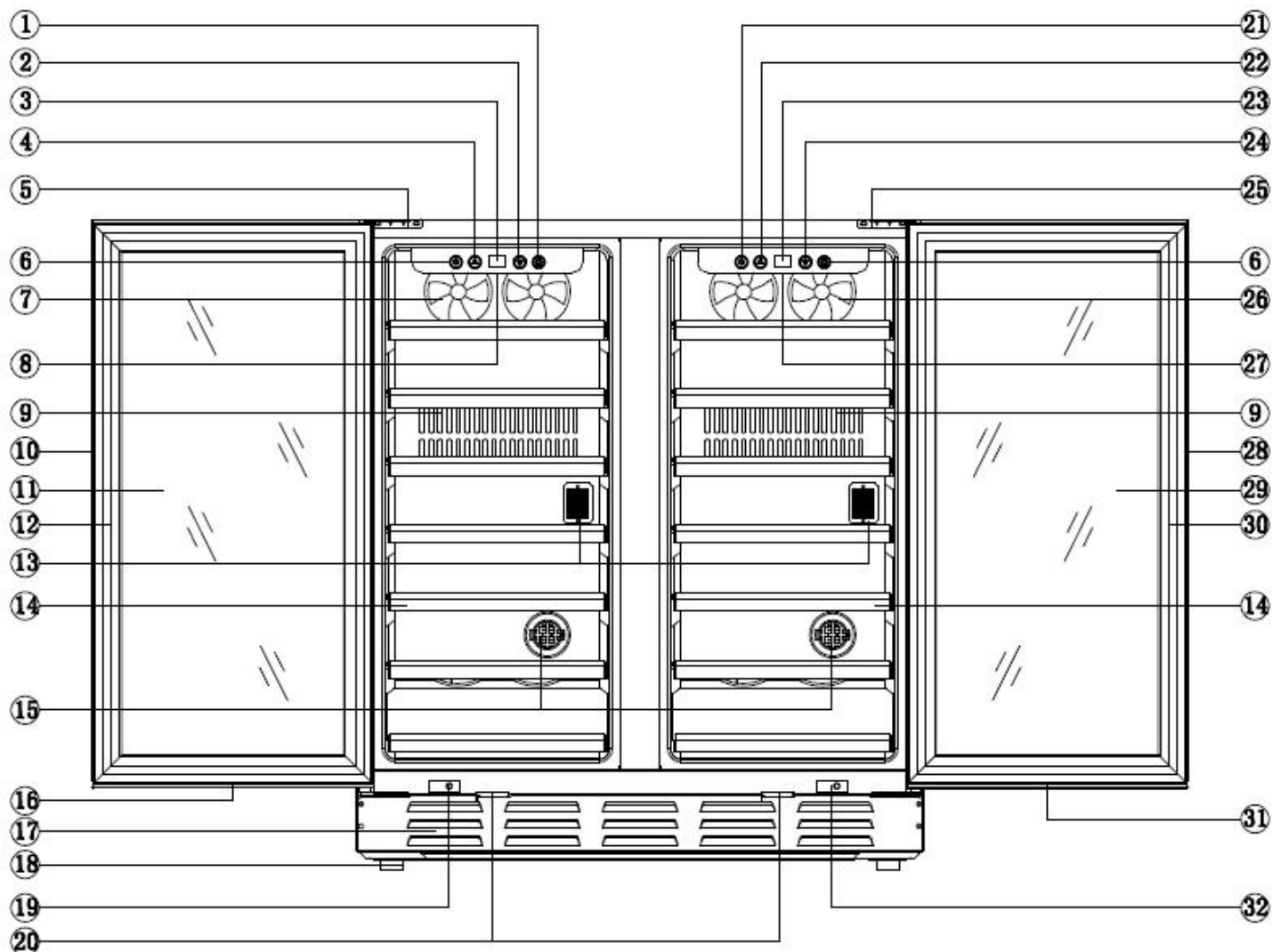
Your Wine Cooler

KRC-40DZB



- | | | |
|-----------------------------|-------------------------------|-------------------------------|
| 1. Left Light Switch | 12. Left Door Seal | 22. Right Temperature Display |
| 2. Left Temperature Setting | 13. NTC Point | 23. Right Temperature Setting |
| 3. Left Temperature Display | 14. Shelf | 24. Right Upper Hinge |
| 4. Left Temperature Setting | 15. Carbon Filter | 25. Right Fan |
| 5. Left Upper Hinge | 16. Exhaust Window | 26. Right Light |
| 6. Power Switch | 17. Foot | 27. Right Handle |
| 7. Left Fan | 18. Left Light Switch | 28. Right Glass |
| 8. Left Light | 19. Left Lock | 29. Right Door Seal |
| 9. Exhaust Window | 20. Right Light Switch | 30. Right Light Switch |
| 10. Left Handle | 21. Right Temperature Setting | 31. Right Lock |
| 11. Left Glass | | |

KRC-66DZB

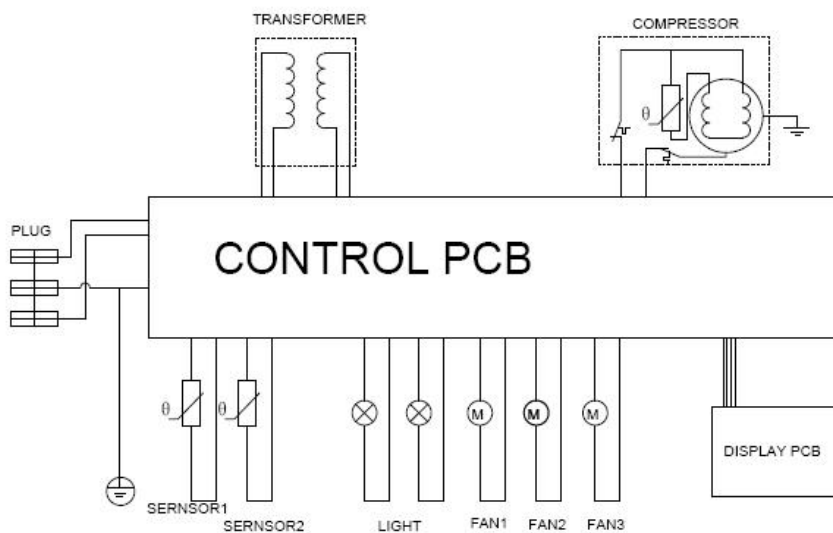


- | | | |
|-----------------------------|-------------------------------|-------------------------------|
| 1. Left Light Switch | 12. Left Door Seal | 23. Right Temperature Display |
| 2. Left Temperature Setting | 13. NTC Point | 24. Right Temperature Setting |
| 3. Left Temperature Display | 14. Shelf | 25. Right Upper Hinge |
| 4. Left Temperature Setting | 15. Carbon Filter | 26. Right Fan |
| 5. Left Upper Hinge | 16. Left Lock | 27. Right Light |
| 6. Power Switch | 17. Exhaust Window | 28. Right Handle |
| 7. Left Fan | 18. Foot | 29. Right Glass |
| 8. Left Light | 19. Left Light Switch | 30. Right Door Seal |
| 9. Exhaust Window | 20. Lock Support | 31. Right Lock |
| 10. Left Handle | 21. Right Light Switch | 32. Right Light Switch |
| 11. Left Glass | 22. Right Temperature Setting | |

Technical Data

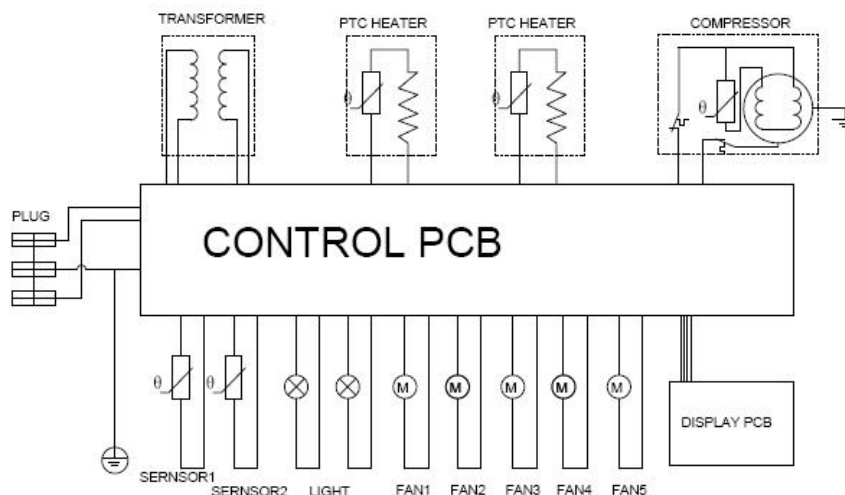
Model No.	KRC-40DZB	KRC-66DZB
Capacity	150L	180L
Voltage	110V	110V
Rated Current	1.5A	1.5A
Frequency	60Hz	60Hz
Protection Class	I	I
Climate Class	T/ST/N/SN	T/ST/N/SN
Input Power	90W	90W
Power Consumption(KW.h/24h)	0.684 KW.h/24h	1.086 KW.h/24h
Temperature Control Range	40°F-66°F	40°F-66°F
Net Weight	106.9 lbs	121.0 lbs
Gross Weight	116.8 lbs	141.0 lbs
Product Size(W×H×D)	23.4 x 33.9 x 22.4 inches	30.5 x 33.9 x 22.4 inches
Packing Size(W×H×D)	26.8 x 41.3 x 25.7 inches	32.6 x 39.8 x 25.2 inches

Electrical Circuit Diagram



KRC-40DZB

Electrical Circuit Diagram



KRC-66DZB

Safety Precautions



To reduce the risk of fire, electrical shock, or injury when using your appliance, follow these basic precautions;

- **PLEASE READ** all instructions before installing, operating, or servicing the appliance.
- **Danger and Warning:** Failure to follow this safety statement will result in severe personal injury or death, property or equipment damage.
- **RISK OF CHILD ENTRAPMENT.** Before you throw away your old refrigerator or freezer, take off the doors and leave shelves in place so children may not easily climb inside.
- **⚠️ SHOCK HAZARD** - Electrical Grounding required.
- Never attempt to repair or perform maintenance on the unit until the electricity has been disconnected.
- Never remove the round grounding prong from the plug and never use a two-prong grounding adaptor.
- Altering, cutting of power cord, removal of power cord, removal of power plug, or direct wiring can cause serious injury, fire or loss of property and life, and will void the warranty.
- Never use an extension cord to connect power to the unit.
- Always keep the working area dry.

Important Precautions

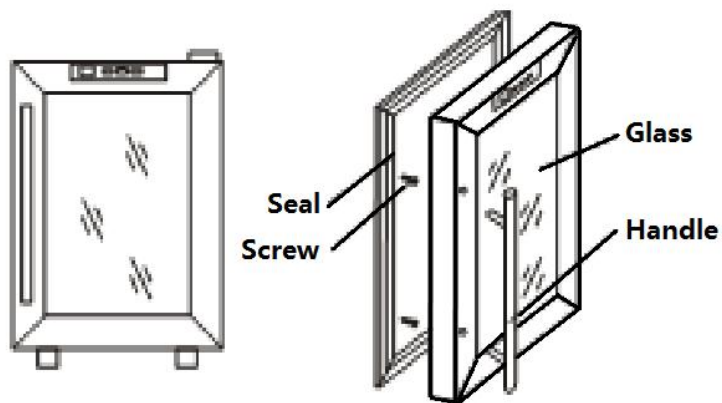
- Do not lift unit by door handle.
- Do keep the door closed before installing into cabinet.
- Be sure the kick-plate on the front bottom is free from obstruction. Obstructing free airflow can cause the unit to malfunction and will void the warranty.
- Failure to clean the condenser every six months can cause the unit to malfunction.
- Allow unit temperature to stabilize for 24 hours before use.
- Do not block any internal fans.
- Use only genuine supplier's replacement parts. Imitation parts can damage the unit, affect its operation or performance and may void the warranty.

Installation Instructions

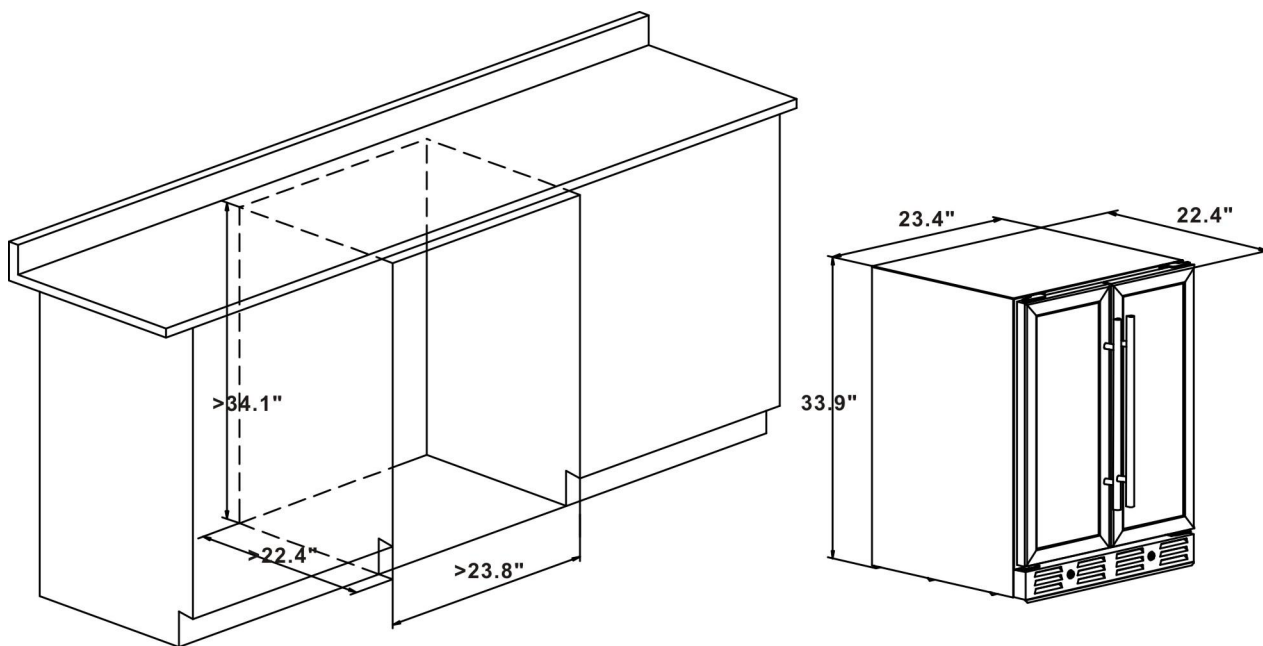
Before using your wine cooler:

- Remove the exterior and interior packing
- Clean the interior surface with lukewarm water using a soft cloth.
- Place your appliance on a floor that is strong enough to support the appliance when it is fully loaded.
- To level your appliance, adjust the front legs at the bottom of the appliance.
- Before connecting the appliance to the power outlet, let it stand upright for at least 24 hours. This will reduce the possibility of malfunction in the cooling system from handling during transportation.
- Choose a cool, shady location, out of direct sunlight, to prevent ambient temperature fluctuations of your wine cooler.
- After 24 hours, plug in wine cooler, and allow interior to adjust to optimal temperature before adding any bottles.
- After 24 additional hours, fill with wine bottles. Allow wine cooler to adjust to reach your set temperature.
- To remove a wine bottle, gently pull shelf out a little, lift upper shelf slightly, and carefully remove bottles.
- **To install the door handle:**
For shipment, the door handle has been stored inside of the unit binding to the wood shelves. To install the

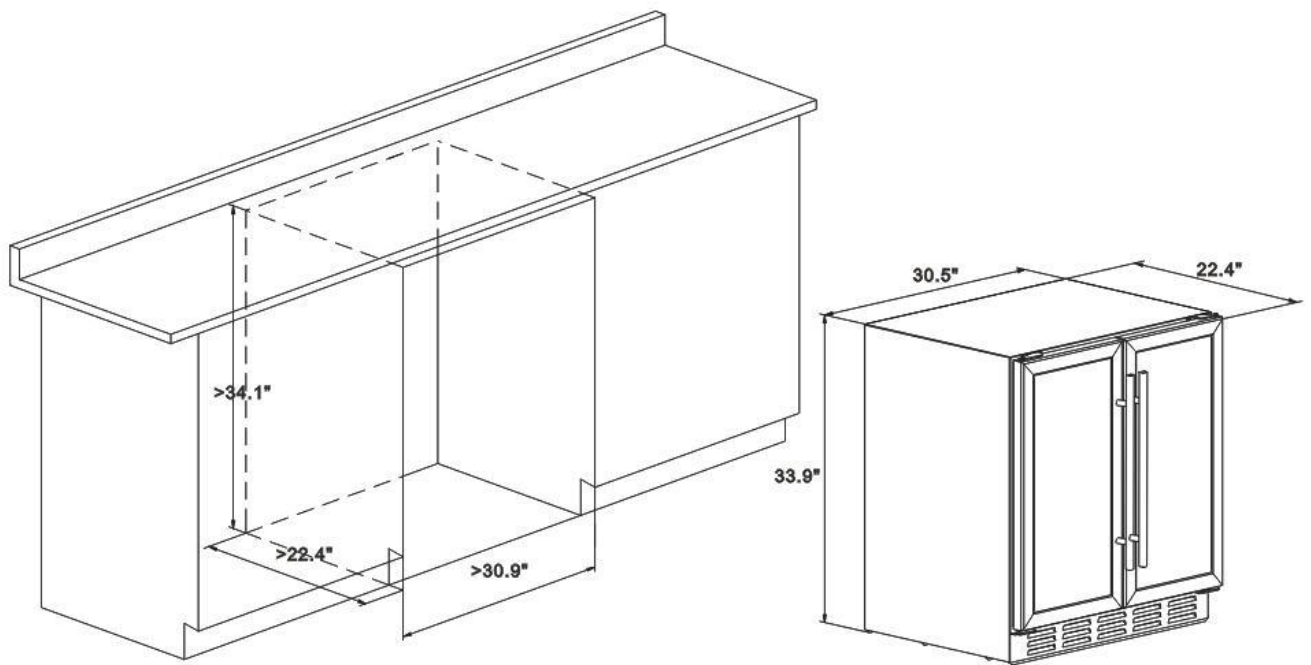
handle, the door gasket should be gently pulled back where it covers the screw holes for the handle, then the handle should be attached by screwing into place with the two screws which are packed in the box with this Instruction Manual and other spare parts.



- **Suggest cabinet dimension:**

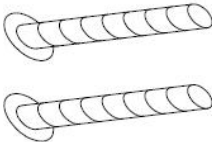

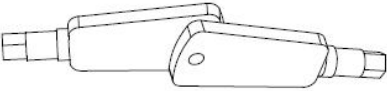
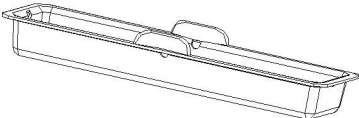


KRC-40DZB



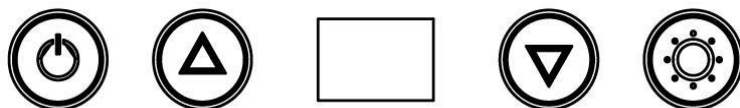
KRC-66DZB

● **Spare parts details:**

Spare parts	Picture	Use
Screw *4		For the handle installation.
Gasket *4		For the handle installation.
Key *2		To lock the door.
Water box *2		The water box is at the bottom inside the wine cooler. If you feel wine cooler inside is dry, you could have some water in it to increase humidity.

Operating Your Wine Cooler

The Control Panel:



How to use the press-buttons on the Display Panel:

- Press the POWER button for 3 seconds to turn on or off the unit.
- To control the temperature, press UP or DOWN button. Each press would adjust the temperature by 1°C

between 5~18°C or 1°F between 40~66°F.

- To turn on or off the internal LED lighting, press LIGHT button on the right side.
- To switch the temperature display from Celsius Degree to be Fahrenheit Degree or vice versa, press LIGHT button for 3 seconds.
- To shut down inner light and control panel display light (button and display light), please press and hold both UP & DOWN buttons for 3 seconds. The cooler will keep running normally. Re-press and hold both UP & DOWN buttons for 3 seconds, the cooler will be restore to its normal status, with inner light and control panel light on.
- When door is not closed within one minute after opening or is not properly closed, LED display will gleam and cooler will beep as alarm. The alarm will stop when door is closed or any button is pressed.

Care And Maintenance

Cleaning your wine cooler

- Unplug the wine cooler and remove the bottles.
- Wash the inside with warm water or baking soda solution. The solution should be about 2 tablespoons of baking soda to a quart of water.
- The outside of wine cooler should be cleaned with mild detergent or warm water.
- Draw out the water box at the bottom, and wash it.

Moving your wine cooler

- Remove all the bottles.
- Securely tape down all loose items inside your wine cooler.
- Turn the leveling legs up to the base to avoid damage.
- Tape the door.
- Be sure the wine cooler stays in the upright position during transportation.

Trouble Shootings

You can solve many common wine cooler problems easily, saving you the cost of a possible service call. Try the suggestion below to see if you can solve the problem before calling the service center.

PROBLEM	POSSIBLE CAUSE
Wine cooler do not operate.	Not plugged in using different voltage. The circuit breaker tripped or a blown fuse.
Wine cooler is not cold enough.	Check the temperature control setting. The door is open too often. The door is not closed completely. The door seal does not seal properly. The wine cooler does not have the correct clearance.
The light does not work.	Main control board does not work. PCB Problem. There is some problem with the plug.
Vibrations.	Check to assure that the wine cooler is leveled.
The wine cooler seems to make too much noise	The wine cooler is not leveled. Check the fan.
The door will not close properly.	The wine cooler is not leveled. The doors were reversed and not properly installed. The seal is weak.

	The shelves out of position.
LED could not display.	Main control board does not work. PCB Problem. There is some problem with the plug.
LED display error.	Weak quality of display. Temperature point is out off.
Buttons are not functional.	Temperature controller panel is damaged.

To obtain service or information, please call 866-554-6688 or send email to

service@kalamera.com

Product contents and specifications may change without notice.

Copyright © 2016 Kalamera Products

www.kalamera.com